

- MAGNETIC PRINCIPLE MEASUREMENT
- ABSOLUTE MEASUREMENT
- SHAFT OR SEMI HOLLOW SHAFT
- 50 MM BODY DIAMETER
- 6MM, 8MM SHAFT OR SHAFT HOLE DIAMETERS
- MULTI-TURN OF 0.02 ° SENSITIVITY
- ABSOLUTE OUTPUT: CANOPEN
- IP67 PROTECTION CLASS



1. TECHNICAL SPECIFICATIONS

GENERAL SPECIFICATIONS

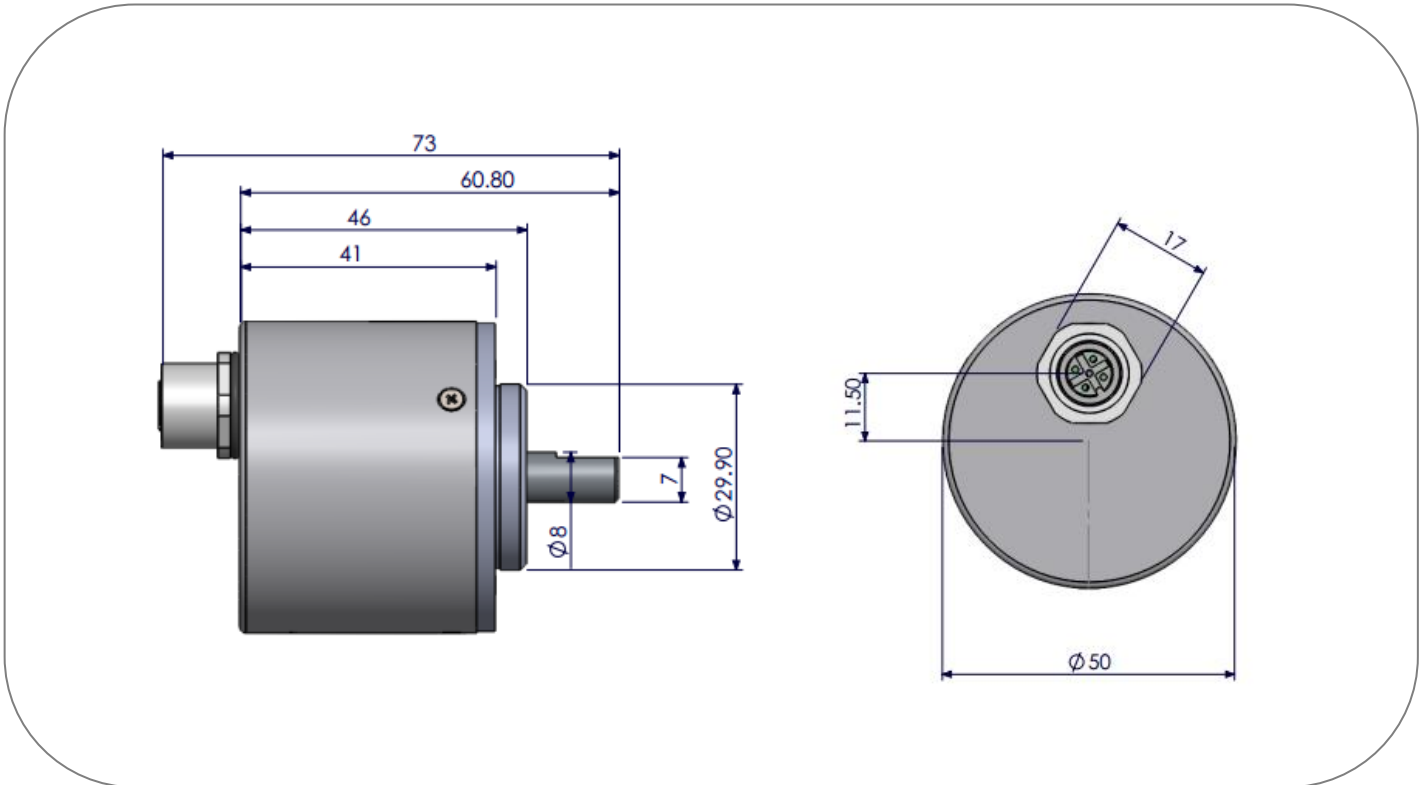
| | |
|-----------------------|---|
| Supply voltage | 15...30VDC |
| Supply Current | 60 mA |
| Output | CANopen |
| Accuracy | ±0,5° |
| Resolution | 1..14 bits can be selected in singleturn. 1.31 bit can be selected in multiturn. singleturn + multiturn <= 31 bits. |
| Sampling Frequency | 500 Hz. |
| Protection Class | IP 67 |
| Relative humidity | %10 to %90 |
| Operating temperature | -20...+70 °C |
| Electrical Connection | In CANopen models, M12 5 pin (male) and M12 5 pin (female) |
| Body | Aluminum |
| Weight | 160 gr |
| Body Diameter | 50mm |
| Shaft Diameters | 6 mm, 8 mm |

CANopen SPECIFICATION

| | |
|------------------------|---|
| Communication Profile | CiA 301 |
| Device Type | CANopen, CiA DS406 |
| ID (Node ID) | It can be set from 1 to 127 with LSS or SDO. |
| Baud Rate | 10 kBit/s, 20 kBit/s, 50 kBit/s, 100 kBit/s, 125 kBit/s, 250 kBit/s, 500 kBit/s, 800 kBit/s, 1 Mbit/s |
| PDO Data Rate | 100 ms |
| Error Control | Heartbeat, Emergency Message |
| PDO | 3 Tx PDO |
| PDO Modes | Event/Time triggered, Synch/Asynch |
| SDO | 1 server |
| Position Information | Object Dictionary 0x6020 |
| Termination Resistance | Optional |

2. CONNECTIONS

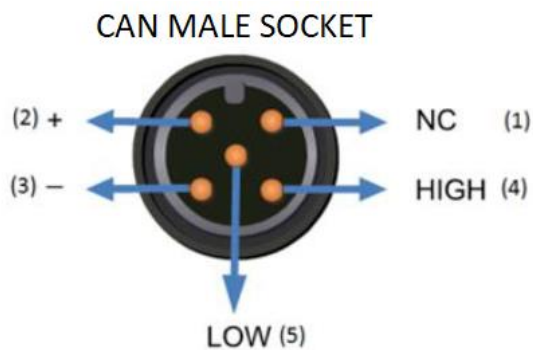
2.1 Dimensions



2.2 Electrical Connection

CANopen

| Terminal | M12 Socket | Cable |
|----------------|------------|--------|
| CAN_SHIELD | Pin 1 | Braid |
| U+ (12..30VDC) | Pin 2 | Red |
| GND (0V) | Pin 3 | Black |
| CAN_H | Pin 4 | Yellow |
| CAN_L | Pin 5 | Green |



ORDER CODING

| Model | Body Diameter | Supply Voltage | Output Signal Direction | Socket Direction | Flange Type |
|-------|--|--|--|---|--|
| MAS | 50 : 50mm | PP : 15...30VDC | CW : Clockwise CCW : Counterclockwise | Y : Side socket | C : Clamping |
| MAS | S - 058 - 14/17 | PP - C - CW | S13 | Y | 8 - C |
| | Shaft Type S : Shaft B : Semi hollow shaft | Bit / Tour Number 14 : 1 bit number of turn 17 : Number of turn (2 ¹⁷) | Output Signal C : CANopen | Electrical Connection S13 : M12 Socket 5 pin | Shaft Diameter 6 : 6 mm 8 : 8 mm |

Atek Sensor Technology A.S.



Tuzla KOSB Organize Sanayi Bolgesi Melek Aras Bulvari, No:67 34956 Tuzla-Istanbul / TURKEY

Tel: +90 216 399 44 04

Fax: +90 216 399 44 02

www.ateksensor.com

info@ateksensor.com